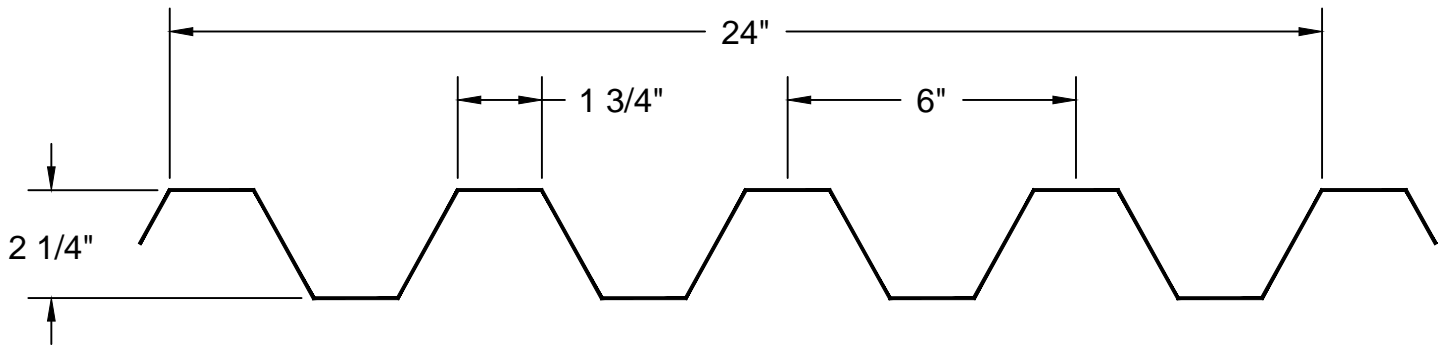


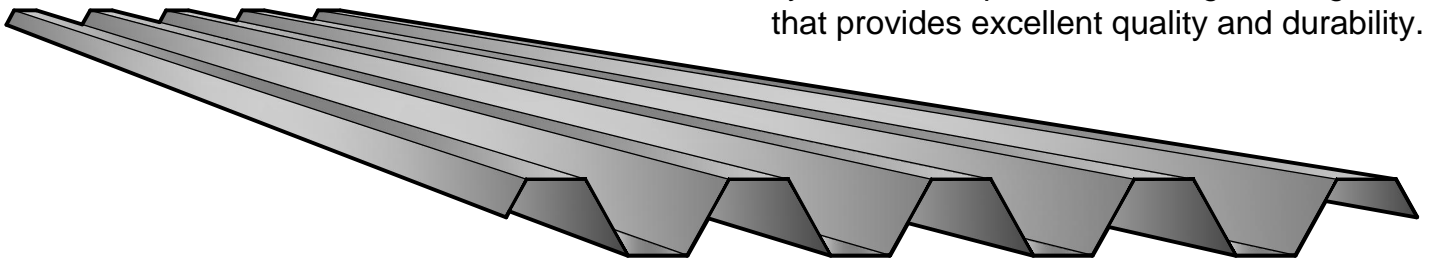
DISCOUNT METAL PANELS, INC.

PRODUCT PROFILE

RIB DECK



Rib Deck is a structural panel with a net coverage of 24". It is commonly used as roofing, siding, or in concrete decking systems. This panel has a ridged design that provides excellent quality and durability.



- Long span capabilities
- Structural decking material
- Durable industrial roofing or siding panel
- Used in mini storage and portable storage units
- Minor ribs provide extra structural integrity for a superior ridged panel
- Available in galvanized

Galvanized		Allowable Loads for Spans Shown									
GA	#/SF	2'	4'	6'	8'	10'	12'	14'	16'	18'	20'
29	0.95	853	213	95	53	34	24	17	13	11	9
26	1.20	1078	270	120	67	43	30	22	17	13	11
24	1.51	1359	340	151	85	54	38	28	21	17	14
22	1.89	1694	423	188	106	68	47	35	26	21	17
20	2.21	1972	493	219	123	79	55	40	31	24	20